



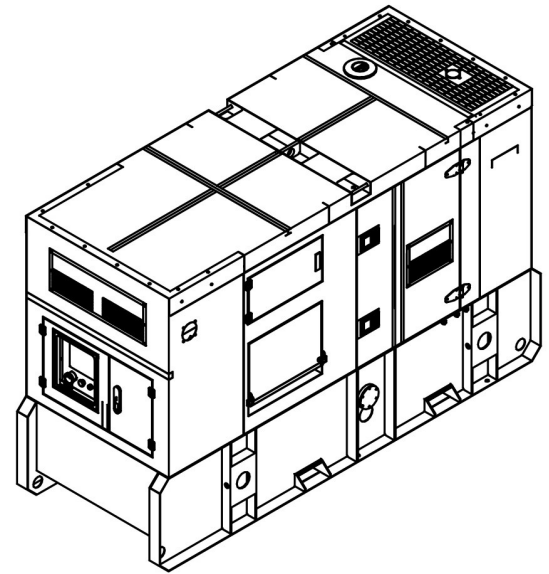
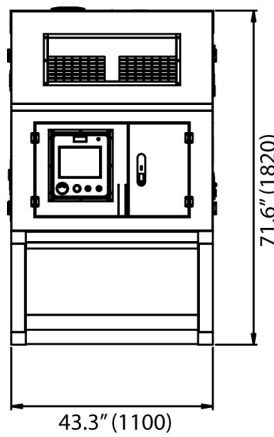
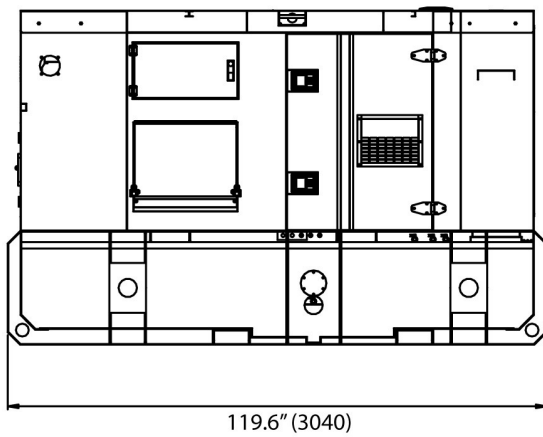
## Sound Attenuated Diesel Generator

Global Prime Power generators are specifically designed to provide prime power or temporary power anywhere and anytime utility power is not available.

These compact, mobile, sound attenuated generators provide single- and three-phase power simultaneously for construction, commercial, industrial, emergency, and special event applications.

### FEATURES

- Rugged design for portable power applications.
- Heavy duty, direct injection Perkins diesel engine provides maximum reliability.
- Brushless alternator with Permanent Magnet Generator (PMG) for superior motor starting.
- Premium Automatic Voltage Regulator (AVR) with three-phase rms sensing for improved regulation and performance.
- Automatic start/stop contacts allow the unit to start upon a signal from a transfer switch during a power failure.
- Voltage selector switch allows an easy change to a wide variety of voltages. Fine tune to exact requirements by adjusting the voltage rheostat on the front control panel.
- Sound attenuated, weather resistant, electrostatic powder paint, lockable enclosure with center lifting point for safe, unattended, quiet operation.
- Simultaneous three-phase and single-phase output.
- Cam-Lock connectors to provide a quick connection alternative.
- Reduced operating cost with 500 hour service intervals and fuel-efficient diesel engines.
- Large internal fuel cell for extended runtimes between refueling.
- Environmentally friendly skid with 110% fluid containment and forklift pockets.
- Easy-to-read Digital controller with safety shutdowns for safe, accurate generator and engine monitoring.
- Trailer with flush mount DOT lighting, safety chains, adjustable height couple, and electric brakes.
- EPA emission compliance to 40 CFR 1039.625.
- Engine warranty with 2 year or 2000 hours, plus 12 months on major components.



## SPECIFICATIONS

### GENERATOR DATA

|                                      |   |
|--------------------------------------|---|
| Model                                | GP95-SA376  |
| Rated Standby Power @ .8pf           | 81kW (101kVA)   |
| Rated Prime Power @.8pf              | 74kW (93kVA)  |
| 3Ø Voltage Selections                | Switchable<br>208/120, 220/127, 240/139<br>480/277, 460/266, 440/254  |
| 1Ø Voltage Selections                | 120/240   |
| Amperage Capacity @ 120V 1Ø          | 205 Amps X 2 (Zigzag)   |
| Amperage Capacity @ 240V 1Ø          | 205 Amps (Zigzag)   |
| Amperage Capacity @ 208V 3Ø          | 255 Amps  |
| Amperage Capacity @ 240V 3Ø          | 222 Amps  |
| Amperage Capacity @ 480V 3Ø          | 111 Amps  |
| Connection Terminals and Receptacles | 1-Single row mechanical lug, hex head<br>1-Single row color coded Cam Locks<br>2- 20A, 120V GFCI<br>3- 50A, 250V, CS6369  |
| Sound Level Full Load @ 23'          | 69 db(A)  |
| Fuel Cell Capacity                   | 153 gallons (580 liters)  |
| Fuel Consumption                     | gph (lph)   |
| 100% Load                            | 6.2 (23.7)  |
| 75% Load                             | 4.9 (18.7)  |
| 50% Load                             | 3.5 (13.5)  |
| 25% Load                             | 2.1 (8.2)   |
| Controller                           | Deepsea 7310  |
| Safety Protection                    | Water Temp, Oil Pressure<br>Emergency Stop Button<br>kW/kVA/Amp Parameter Monitoring<br>Battery Disconnect<br>Lockable Voltage Selection<br>Generator Output Protection |

### ENGINE

|                           |  |
|---------------------------|--|
| Engine Make               | Perkins  |
| Engine Model              | 1104D-E44TAG1  |
| Emissions Compliance      | EPA Tier III   |
| Design                    | 4 Cylinder, 4-cycle, water cooled,<br>direct injection, turbocharged |
| Displacement              | 4.41 liter   |
| Rated Speed               | 1800 rpm   |
| Gross Engine Power Output | 129HP (96kw)   |
| Oil Capacity              | 2.1 gallons (8.0 liters)   |
| Battery                   | 12V 100Ah x 1  |

### ALTERNATOR

|                             |                    |
|-----------------------------|--------------------|
| Model                       | Stamford UCI224G   |
| Excitation                  | Brushless with PMG |
| Automatic Voltage Regulator | Stamford MX321     |
| Frequency                   | 60 Hertz           |
| Voltage Regulation          | ±0.5%              |
| Frequency Regulation        | ±.25%              |
| Insulation                  | Class H            |
| T.I.F.                      | <50                |

### SKID DIMENSIONS

|              |                    |
|--------------|--------------------|
|              | Inch (mm)          |
| Length       | 119.6 (3040)       |
| Width        | 43.3 (1100)        |
| Height       | 71.6 (1820)        |
| Weight (dry) | 4277 lbs (1940 kg) |

### TRAILER OPTION

Standard Dual Axle  
Electric/Surge Brakes  
DOT Approved Recessed Lighting

GP95



Rain2Day, Inc.  
4740 Industry Park Court  
Las Vegas NV. 89115  
P- 702 395-8849  
F- 702 320-9959  
www.rain2day.com